

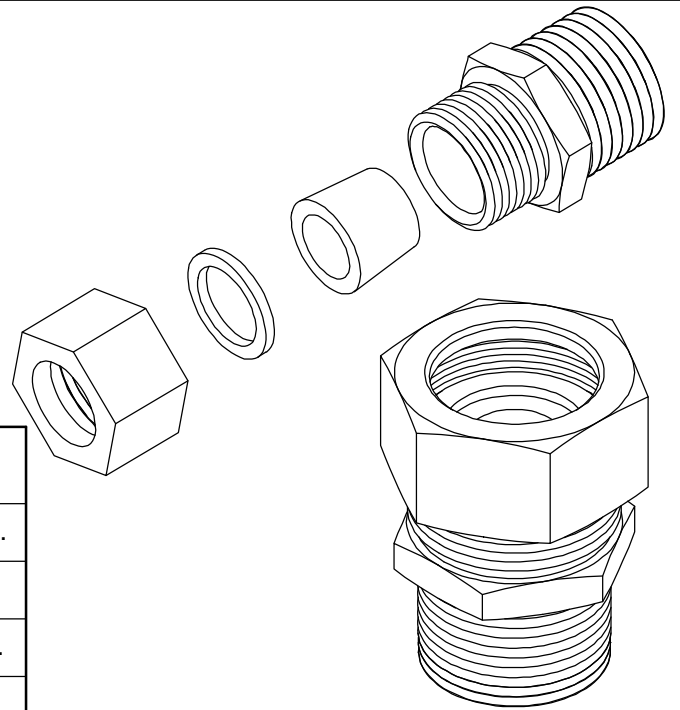
## Function

For watertight connections of underwater cables connecting junction boxes with lights, water level sensors and pumps.

## Specification

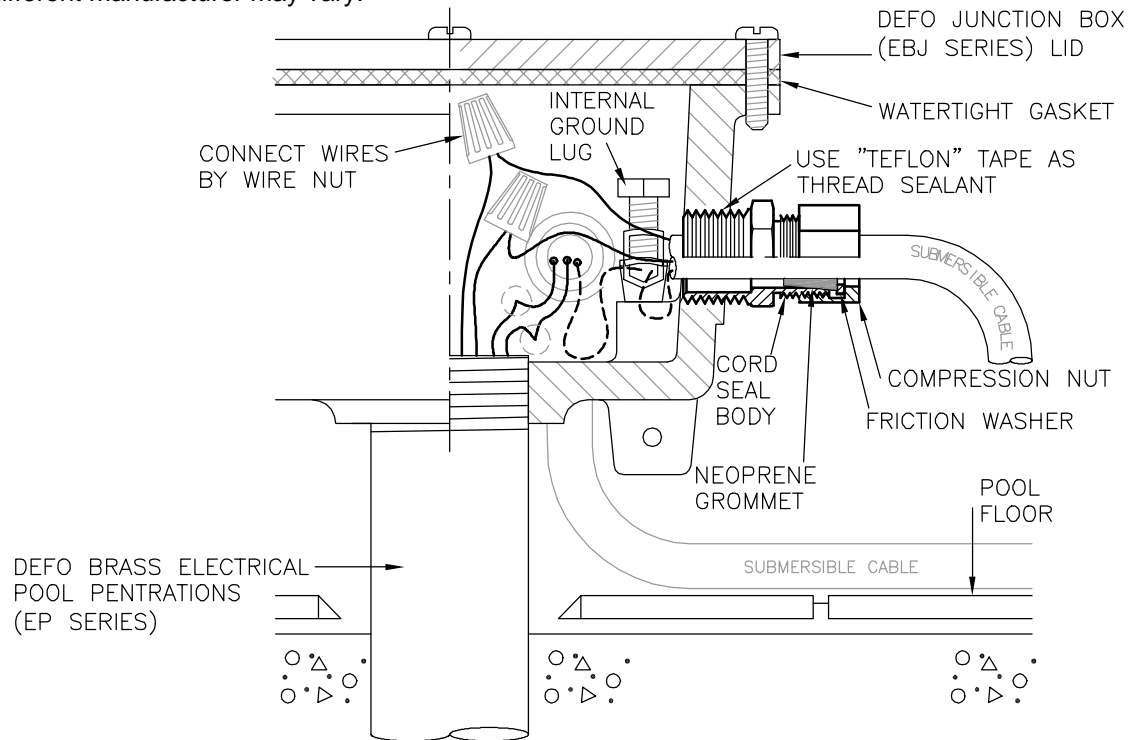
Construction of cord seal body, compression nut and friction washer shall be brass with neoprene grommet.

DEFO no.	connection n.p.t./b.s.p.	cable size	awg types (* note 2)
EGS052	1/2"	$2\frac{3}{64}" - \frac{7}{16}"$	18/3, 18/4, 16/3, 16 /4 ...
EGS071	3/4"	$\frac{3}{8}" - \frac{1}{2}"$	16/5, 14/3 ...
EGS073	3/4"	$\frac{1}{2}" - \frac{5}{8}"$	14/5, 12/3, 12/4, 10/3 ...
EGS074	3/4"	$\frac{5}{8}" - \frac{3}{4}"$	12/5, 10/4, 8/3 ...



## Notes

1. Must be installed by a qualified electrician according to local electrical codes.
2. AWG types shown are for Crystal Fountains products, cable sizes from different manufacturer may vary.



**PROPRIETARY AND CONFIDENTIAL**

THE INFORMATION CONTAINED IN THIS DRAWING IS THE SOLE PROPERTY OF CRYSTAL FOUNTAINS. ANY REPRODUCTION IN PART OR AS A WHOLE WITHOUT THE WRITTEN PERMISSION OF CRYSTAL FOUNTAINS IS PROHIBITED.

SHOP DRAWING  
EGS-D101

www.crystalfountains.com

**Crystal Fountains**

**JUNCTION BOX CORD SEAL**

SERIES  
**EGS**

REV.  
**A**

TEL. (905) 660-6674

FAX. (905) 660-6916

8.30.2003